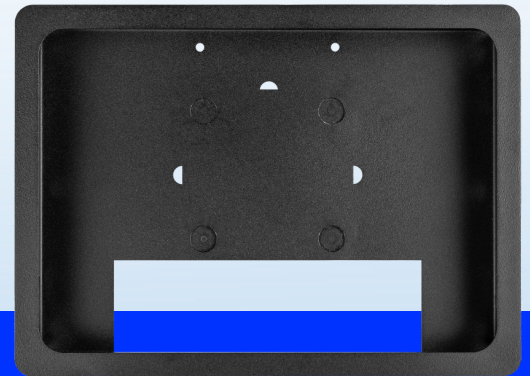


FM-10

8080950

Flush Mount



Product Overview

The FM-10 is a metal flush mount designed to integrate most 10" IPPC and APPC models into drywall or other materials seamlessly. It ensures a sleek, professional appearance while allowing easy removal for maintenance.

Please note: The FM-10 is not compatible with IPPC models from the R24 Generation or IPPC with Intel® Processor N50, as using the flush mount with these models may result in overheating.



Specifically designed to securely fit compatible 10" IPPC and APPC models for drywall and other material installations.



Constructed with high-quality metal for reliability and long-term use.

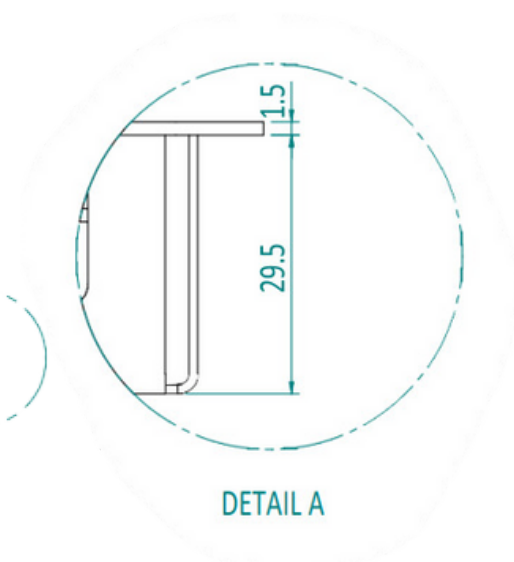
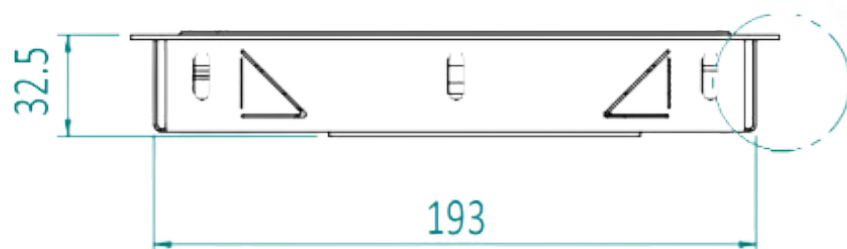
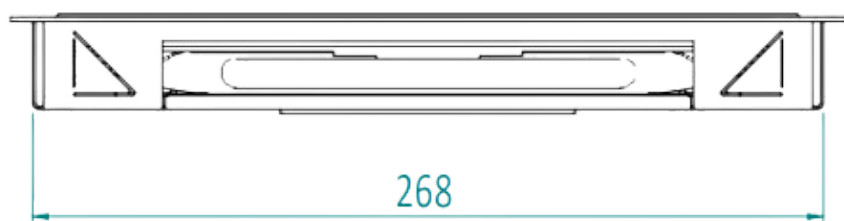
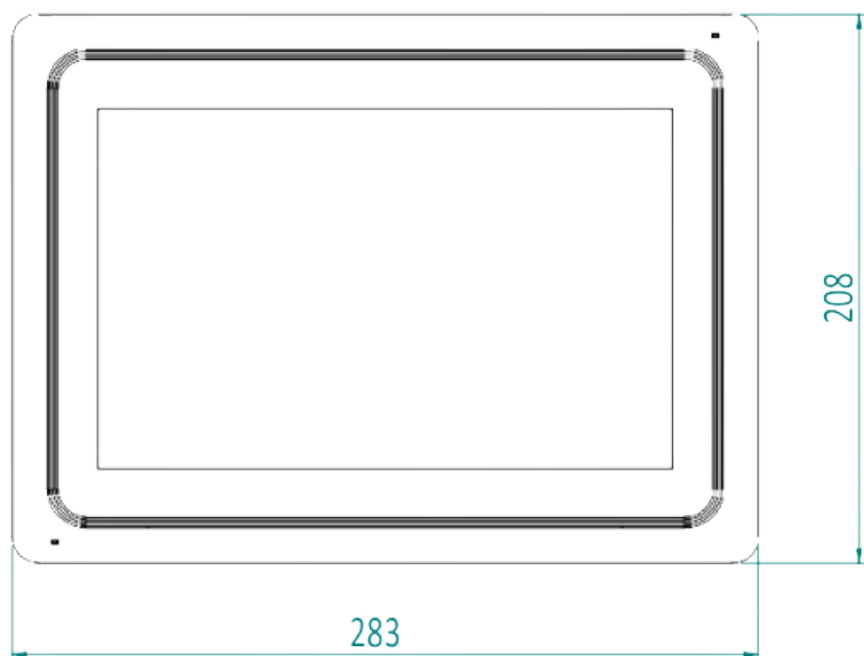


Designed for quick removal, allowing efficient servicing or upgrades.



Includes mounting holes and drywall fixtures to support diverse installation requirements.

Technical Drawing



Sustainability

At ProDVX we are committed to doing our part when it comes to the environment. Our products are designed to have the lowest possible impact on the environment, from inception to product retirement. We also strive to operate our offices and warehouse in a carbon-neutral manner. Our aim is to lead the way in conducting responsible business in the digital signage hardware industry.

Product Specifications

Physical

Size	283 x 208 x 32.5 mm
Weight	n.a
Material	Metal
VESA	n.a
Color	Black